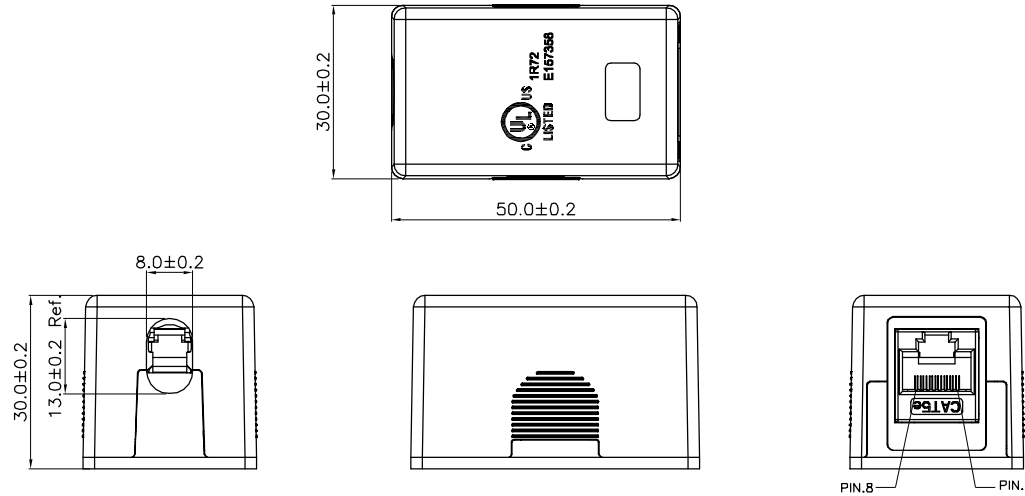
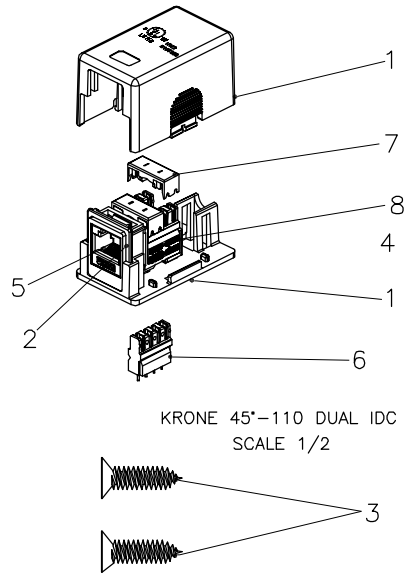


NOTE: ALL MATERIAL COMPLIANT ROHS STANDARD

REVISION INFORMATION			
Rev.	Rev. Date	Modified By	Brief Description



Specification:

Material :

1. Box : ABS, UL 94V-0, with optional color.
2. Insert : ABS, UL 94V-0.
3. Screw : M3.5X21.0X7.5mm.
4. RJ45 Jack :
  - 4-1. Housing : ABS+PC, UL 94V-0, with optional color.
  - 4-2. Contact Bracket : PBT+Glass Fiber, UL 94V-0.
5. RJ45 Jack Contact :
  - 5-1. Material : Phosphor Bronze with Nickel plated
  - 5-2. Finish : 50 micro-inch Gold plated on Plug contact area.
6. IDC :
  - 6-1. Housing : PC+Glass Fiber, UL 94V-2.
  - 6-2. Terminal : Phosphor Bronze with min Tin plated.
7. IDC CAP : ABS, UL 94-HB.
8. IDC Bracket : ABS, UL 94V-0.
9. PCB : FR4, UL 94V-0.

Performance :

- a. T568A & T568B wiring sticker.
- b. Insertion force : 20N max. (IEC 60603-7-4)

- c. Retention strength : 7.7 kg between Jack and Plug.
- d. Operating temperature : -10°C to 60°C. (ISO/IEC 11801, ANSI/TIA/EIA 568 B.2)
- e. Life(mating cycles) :
  - \*Jack : 750 cycles min. (ISO/IEC 11801, IEC 60603-7-4)
  - \*IDC : Suitable for 22-26 AWG stranded and solid wire, compatible with both 110 & Krone punch down tools.
- f. The Cat.5e transmission performance is in compliance with the ANSI/TIA/EIA 568 B.2 standard.

Remark : AJIDBXX010005XX

- (1)XX : Box Color (1) (2)  
 05=White, 13=Ivory.  
 (2)XX : Housing Color  
 05=White, 13=Ivory.



NO.	PART NAME	SPECIFICATION DESCRIPTION	QTY	UNIT
③				
②				
①				

DRAWN BY		DATE: 2012/08/25	DESCRIPTION: Cat.5E 1Port Surface Mount Box w/Jack	
CHECKED BY		SHEET 1 of 1		
APPROVED BY		SCALE 1:1	REV. 00	UNIT: mm